

PIKOMAT ROBOT-PLANTS



Palletizing-and depalletizing – robots for all kinds of packing drums like sacks, bags , cartons , boxes , buckets , barrels etc.

- High availability
- Fast amortization
- Space-saving
- Ease of operation
- Usable in different branches e.g. food , chemical industry , glas/ceramics/stone, Beverages , logistics/distribution centers , automotive components
- Different variants of robot- plants
- Capacity up to 500 movements/ h – removing several packs simultaneously increases the capacity many times

Siemensstrasse 7
D-92521 Schwarzenfeld
Telefon: 0 94 35–54 18-0
Telefax: 0 94 35-54 18-19
www.wiko-piehler.de
Email: VK@wiko-piehler.de



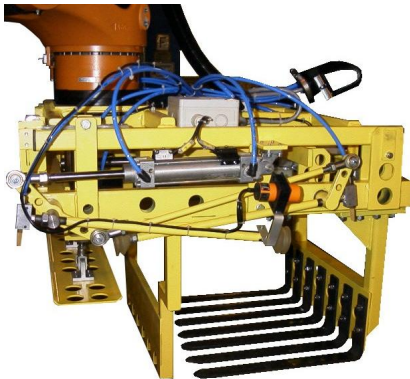
The palletizing-robots of various models will be equipped with special handling-systems at WIKO-PIEHLER to suit the range of different handling-requirements.

The 4 axis –robots are planned especially for the automatization of handling-requirements and for setting high value on economy and availability.

Provided with a user-friendly control panel the robot offers a real interface man to machine which is easily to understand.

Various handling-systems guarantee a reliable and exact palletizing

- Prongs-gripper ,especially for handling sacks
- Vacuum-gripper , to grip cartons ,buckets and other packs with a smooth surface as well as depalletizing of various goods
- Clamp-gripper for cartons , trays ,displays etc.
- Hook-gripper for palletizing buckets ,casks etc.
- Combi-gripper with additional functions to handle empty pallets and card boards
- Supplies like image analysis for depalletizing and semi-automatic and fully automatic gripper-quick change systems



Combi-gripper for sacks and card-boards

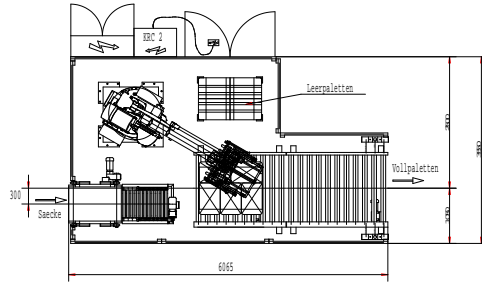
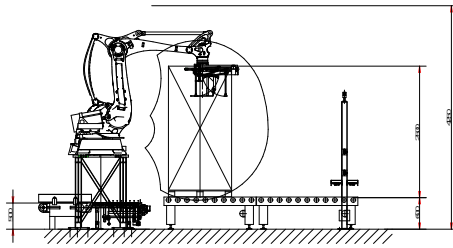


Special roller conveyor to take away sacks



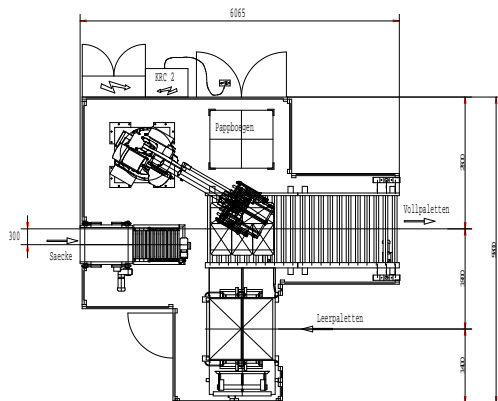
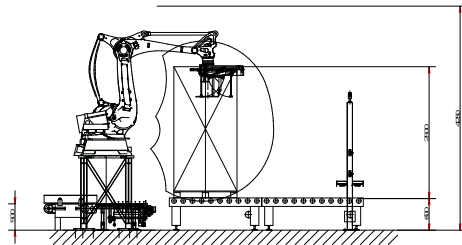
Portal-robot for palletizing buckets

Palletizing-robot :examples of assembly



Variant A

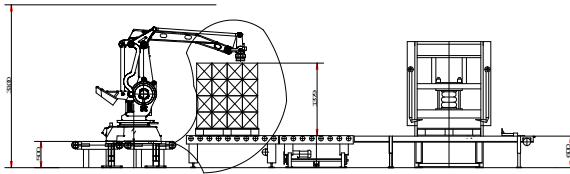
- 1 product-inlet
- empty pallet parking space
- combi-gripper for packs and empty pallets



Variant B

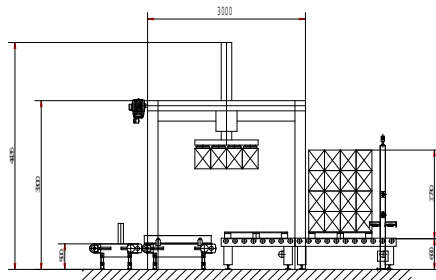
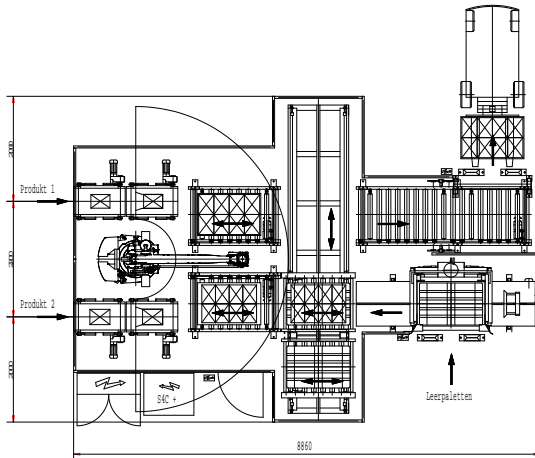
- 1 product-inlet
- empty-pallet magazine
- combi-gripper for packs and card-boards

Palletizing-robot : examples of assembly



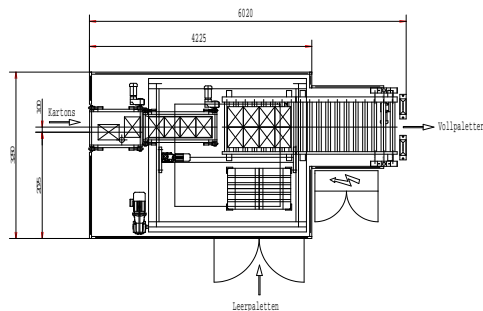
Variant C

- 2 product-inlets
- 2 loading-terminals
- gripper for packs and optional card-boards
- empty-pallet magazine
- transfer-carriage with 2 roller-conveyors to feed with empty-pallets and/or to deliver full pallets



Variant D

- 1 product-inlet
- empty pallet parking space
- combi-gripper for packs and empty pallets
- extremely space saving portal-construction



Profit from our intelligent, flexible and particularly space-saving technology!
We plan, supply and install your complete system!
Self-evidently our customer service attends you, also after the initiation.

WIKO-PIEHLER Palettier- & Fördertechnik GmbH
 Siemensstraße 7 • D- 92521 Schwarzenfeld
 Telefon: 09435 – 5418 – 0 • Telefax: 09435 – 5418 – 19
<http://www.wiko-piehler.de> • Email: VK@wiko-piehler.de